



EJB Custom-Built Control Panels

COOPER Crouse-Hinds



For global applications:
ATEX
UL
CSA



EJB Custom-Built Control Panels to meet your exact requirements are a Cooper Crouse-Hinds specialty.

Manufactured for hazardous environments, the EJB Custom-Built Control Panel is an explosionproof enclosure built to customer-specific needs. Available in a variety of sizes with an unlimited combination of devices, windows, and markings, these panels are designed to maximize the efficiency of each unique process.

The foundation of the Custom-Built Control Panel is our tried and tested copper-free aluminum EJB enclosure. This corrosion resistant, heavy-duty enclosure features bolted construction, stainless steel hinges, and flexible tap-in mounting feet.

Additionally, in our continuous effort to offer products with global certifications, the EJB Custom-Built Control Panels are now third-party certified to UL and cULus standards, and the ATEX Directive, truly providing our customers a worldwide solution.

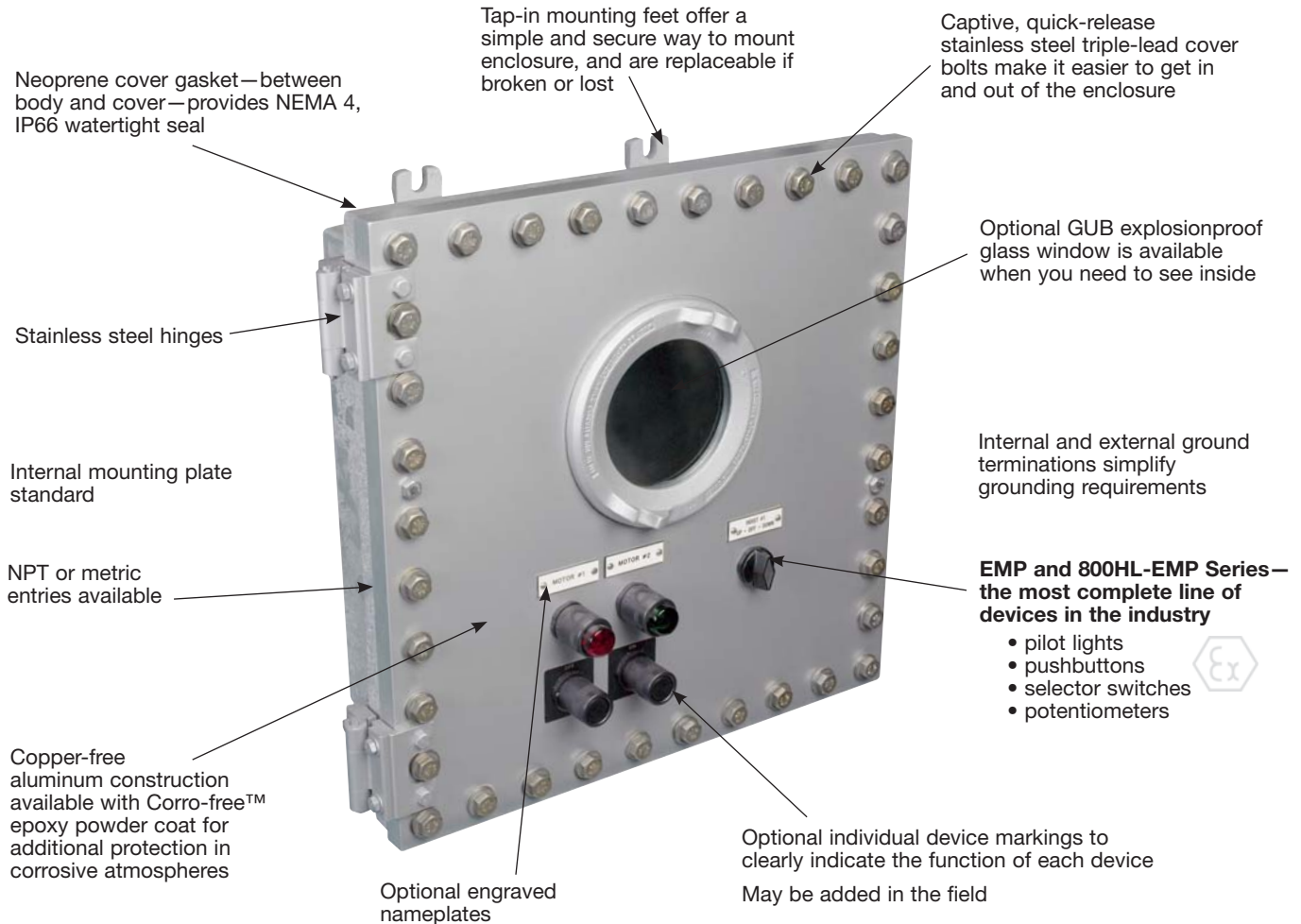
This ordering guide will assist you in choosing the combination of features suited to your needs and requirements. The easy, five-step process will take you through the specification of cover openings, specifying devices, drilled and tapped conduit openings, device locations, and legend and nameplate selection. After filling out your separate order form for each panel, fax it to your local Cooper Crouse-Hinds Distributor.

Please consult the factory for alternatives not detailed in this brochure, such as other conduit arrangements, terminal blocks, or circuit breaker operating handles.

EJB Custom-Built Control Panels

Now third-party certified to UL and cULus standards, and the ATEX Directive, providing our customers a globally certified, individually customized panel solution.

Features



Certifications and Compliances

EJB Custom Control Panels

- NEC/CEC:
 - Class I, Divisions 1 & 2, Groups B*, C and D
 - Class I, Zones 1 & 2
 - Class II, Division 1, Groups E, F and G
 - Class II, Division 2, Groups F and G
 - Class III
- NEMA: 3, 4, 7B*CD, 9EFG
- cUL to CSA Standard C22.2 No. 30—C22.2 No. 25 Cl. II (E, F, G)
- CENELEC Ex d IIB + H₂ T6
- UL Standard 1203
- IP66
- Certified to the ATEX Directive when ordered with -ATEX suffix. See ATEX certifications to the right.
- Custom Control Panel is component certified only. For assembly certification, please consult factory.

*Groups C and D only when ordered with GUB window.

ATEX Certifications

• EJB Enclosure with Conduit Entries & Device Holes	
II 2 G Ex d IIB + H ₂	Certificate #: ITS08ATEX15797U
• EMP Devices	
II 2 G Ex d IIB + H ₂	Certificate #: ITS07ATEX15652U
• 800HL-EMP Devices	
II 2 G Ex d IIB + H ₂	Certificate #: ITS07ATEX15664U
• GUB0108 ATEX Window	
II 2 G Ex d IIB + H ₂	Certificate #: ITS07ATEX15638U
• ECD Breather/Drain	
II 2 G Ex d IIB + H ₂	Certificate #: ITS07ATEX15639U

Ordering Information—Building a Custom Solution

Ordering and receiving Cooper Crouse-Hinds EJB Custom-Built Control Panels is now easier and faster than ever. Follow the steps below, fill out a separate order form for each panel, and fax it to your local Cooper Crouse-Hinds Distributor. It's as simple as that!

Easy Five Step Ordering Process:

- 1 Specify cover openings and devices.
- 2 Specify conduit openings.
- 3 Determine device arrangement.
- 4 Specify device location.
- 5 Specify legend and nameplates.

Step 1

Specify the openings required for the cover of the enclosure.

Indicate in Section 1 of the order form the combination of devices, openings without devices, and windows required.
(See sample order form, page 8.)

Total the number of device openings required based on the devices, openings and windows specified in Section 1.

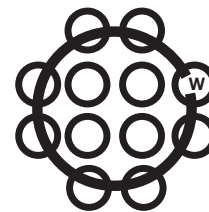
Using Table 1, you can determine the smallest size enclosure required based upon the total number of devices/openings and the number of devices a window requires. (NOTE: The actual size of your custom panel enclosure may change based on the number and size of your entry requirements.)

TABLE 1

DEVICE AND WINDOW INFORMATION

Total # of Device Openings Available		Device Layout			EJB Enclosure Catalog Number
9	=	3	X	3	EJB100806
16	=	4	X	4	EJB121204
16	=	4	X	4	EJB121206
16	=	4	X	4	EJB121208
36	=	6	X	6	EJB161606
36	=	6	X	6	EJB161608
24	=	6	X	4	EJB181206
24	=	6	X	4	EJB181208
36	=	9	X	4	EJB241208
36	=	9	X	4	EJB241210
54	=	9	X	6	EJB241808
81	=	9	X	9	EJB242408
81	=	9	X	9	EJB242410
52	=	13	X	4	EJB361208
78	=	13	X	6	EJB361808
117	=	13	X	9	EJB362408

Requires same area as 12 devices.
May be installed in all boxes.



GUB0108—Symbol W
4-3/4" dia. viewing area

SIZE REQUIREMENTS

EJB Size	Max. No. Windows
121204 to 181208	1
241208 to 362408	2

Step 2

Specify the number, size and location of conduit openings required on the sides, top and bottom of the enclosure body using the information in Tables 2, 3, and 4.

Refer to Table 2 to determine if the enclosure selected in Step 1 will accommodate the required conduit openings.
From Table 3, determine the symbol(s) that correspond with the required conduit openings.

Place these symbols in the desired positions using the conduit arrangement diagrams in Table 4.

Any combination of the four arrangement diagrams may be used per side and all positions on a side with openings must have a symbol. The side number (1, 2, 3 or 4) must precede the conduit opening(s) symbols for the respective side. When a side of the enclosure does not require any conduit openings, the side number is omitted from the catalog number.

Enter the complete catalog number, including conduit opening designations, in Section 2 of the order form. Indicate on which side the hinges should be mounted. Check boxes in Section 2 for options desired.

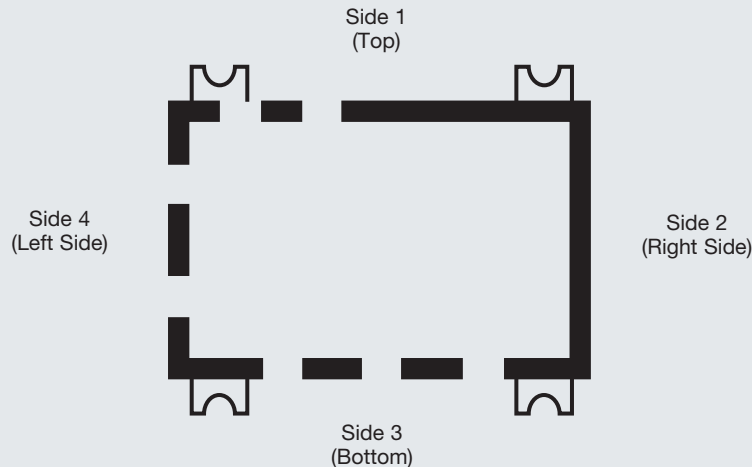
Example:

In Step 1, customer selects an EJB161606 based on the number of devices/openings specified (See Section 1 of sample order form). The following conduit openings are required: (2) 1" on the left side of the top; no openings on the right side; (3) 2" on the bottom; and (2) 3/4" on the left side.

Table 2 indicates the maximum size allowed for three conduit openings in an EJB161606 is 2-1/2". Therefore, an EJB161606 would be suitable.

Table 3 indicates a 3/4" opening is symbol B, a 1" opening is symbol C, a 2" opening is symbol G and no opening is a 0.

Using the conduit arrangement diagrams in Table 4, place the symbols for the desired openings in the appropriate positions. Remember, any combination of the four arrangement diagrams may be used and all positions on a side with openings must have a symbol even if no opening is required in a particular position.



Side 1:	(2) 1" on the left side of the top	= 1CC00
Side 2:	No Openings	= No Symbols Required
Side 3:	(3) 2" on the bottom	= 3GGG
Side 4:	(2) 3/4" on the left side	= 4BB

Complete catalog number is: **EJB161606- 1CC003GGG4BB**. Enter the completed catalog number, including conduit opening designations, in Section 2 of the order form. Indicate on which side the hinges should be mounted.

Ordering Information—Building a Custom Solution

TABLE 2

CONDUIT ARRANGEMENTS

CAT #	Maximum Trade Size and Number of Openings								Spacing Dimensions						
	Top and Bottom (bb)				Sides (aa)				S	T	U	V	W	X	Y
	1	2	3	4	1	2	3	4							
Drilled and Tapped Openings															
EJB100806	3-1/2	3	1-1/2	1-1/4	3-1/2	2-1/2	1-1/4	3/4	3-3/4	2-5/16	1-15/16	2-3/4	2-1/2	2-1/2	1-3/4
EJB121204	1-1/2	1-1/2	1-1/2	1-1/4	1-1/2	1-1/2	1-1/2	1-1/4	3	2-1/4	2-1/4	3-5/8	3-5/8	3-1/16	3-1/16
EJB121206	3-1/2	3-1/2	1-1/2	1-1/4	3-1/2	3-1/2	1-1/2	1-1/4	3-3/4	3	3	3-5/8	3-5/8	3-1/16	3-1/16
EJB121208	5	3-1/2	1-1/2	1-1/4	5	3-1/2	1-1/2	1-1/4	4-3/4	3	3	3-5/8	3-5/8	3-1/16	3-1/16
EJB161606	3-1/2	3-1/2	2-1/2	2	3-1/2	3-1/2	2-1/2	2	3-3/4	3	3	4-5/8	4-5/8	4-3/16	4-3/16
EJB161608	5	5	3	2	5	5	3	2	4-3/4	3-1/4	3-1/4	6	4-5/8	4-3/16	4-316
EJB181206	3-1/2	3-1/2	3-1/2	2-1/2	3-1/2	3-1/2	1-1/2	1-1/4	3-3/4	3	3	6	3-5/8	4-5/8	3-1/16
EJB181208	5	5	3-1/2	2-1/2	5	3-1/2	1-1/2	1-1/4	4-3/4	4-3/16	3	6	3-5/8	4-5/8	3-1/16
EJB241208	5	5	5	3-1/2	5	3-1/2	1-1/2	1-1/4	5-1/8	4-3/16	3	8-7/16	3-5/8	6	3-1/16
EJB241210	6	6	5	3-1/2	6	3-1/2	1-1/2	1-1/4	6-1/8	4-3/4	3	8-7/16	3-5/8	6	3-1/16
EJB241808	5	5	5	3-1/2	5	5	3-1/2	2-1/2	5-1/4	4-3/16	4-3/16	8-7/16	6	6	4-5/8
EJB241810	6	6	5	3-1/2	6	6	3-1/2	2-1/2	6-1/4	4-3/4	4-3/4	8-7/16	6	6	4-5/8
EJB242408	5	5	5	3-1/2	5	5	5	3-1/2	5-3/8	4-3/16	4-3/16	8-7/16	8-7/16	6	6
EJB242410	6	6	5	3-1/2	6	6	5	3-1/2	6-3/8	4-3/4	4-3/4	8-7/16	8-7/16	6	6
EJB361208	5	5	5	5	5	3-1/2	1-1/2	1-1/4	4-3/4	4-7/16	3	8-7/16	3-5/8	8-7/16	3-1/16
EJB361808	5	5	5	5	5	5	3-1/2	2-1/2	5-1/2	4-7/16	4-7/16	8-7/16	6	8-7/16	4-5/8
EJB361810	6	6	5	5	6	6	3-1/2	2-1/2	6-1/2	4-3/4	4-3/4	8-7/16	6	8-7/16	4-5/8
EJB362408	5	5	5	5	5	5	5	3-1/2	6	4-3/16	4-3/16	8-7/16	8-7/16	8-7/16	6

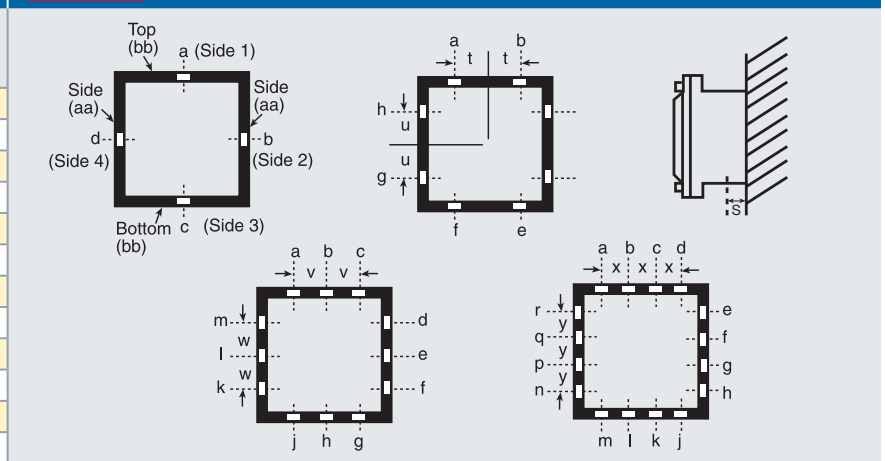
TABLE 3

SYMBOLS FOR OPENINGS

NPT Conduit Size	Drilled & Tapped Hole Symbol	Metric Openings	Drilled & Tapped Hole Symbol
1/2	A	M16	AM
3/4	B	M20	BM
1	C	M25	CM
1-1/4	E	M32	EM
1-1/2	F	M40	FM
2	G	M50	GM
2-1/2	H	M63	HM
3	J		
3-1/2	K		
4	L		
5	M		
6	N		

TABLE 4

CONDUIT ARRANGEMENT DIAGRAMS



Step 3

Based upon the EJB selected, use Section 3 of the order form and outline the maximum number of columns and rows available (from Table 1) beginning in the upper left corner. Fill in the length of each side in the space provided.

Note that the left side will be hinged unless otherwise specified in Section 2. In our example, an EJB161606 was selected and according to Table 1, a total of 36 device spaces are available (6 columns and 6 rows). See sample order form.

Step 4

Place the appropriate letter symbol from Section 1 of the order form in the position you desire the devices or openings to be located. If a window is required, outline the position and number of spaces the window will occupy and place the symbol of the window (w) in the center.

Note that 2 windows per enclosure can be used. If more windows are required contact factory. (See appropriate window information in the sample order form, page 9.)

Step 5

Indicate the desired device marking (DSL legend plate) or engraved plate for each device or window in Section 4 of the order form.

Engraved plates will be located above the device or window and are white letters on a black background. If an engraved plate is desired, fill in desired wording on engraved plate (up to 2 lines) on Section 4 of order form. If a device marking is required on EMP device, insert the DSL catalog number from those listed below (Table 5) on Section 4 of order form under column labeled “Device Marking.” Be sure to specify the row and column location of the EMP device being marked. See sample order form.

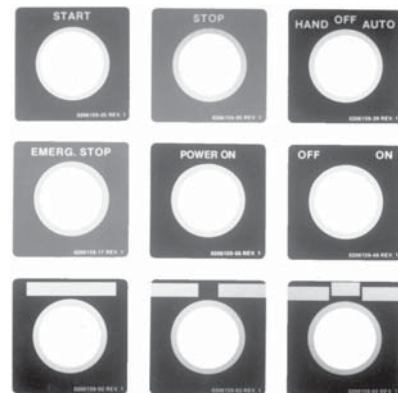
That’s it. *It’s that simple.* Now fax the order form to your local Cooper Crouse-Hinds Distributor.

TABLE 5

LEGEND PLATE SELECTOR CHART

Use the charts below to select the appropriate legend plate(s) for your application. Markings shown in **bold print** are etched; all others are stamped.

Single Function Legend Plates		Double Function Legend Plates		Triple Function Legend Plates	
Marking	Cat #.	Marking	Cat #.	Marking	Cat #.
Automatic	DSL16	Blank with 2 fields	DSL03	Auto-Off-Hand	DSL49
Blank	DSL01	For-Rev	DSL30	Blank with 3 fields	DSL04
Blank with single field	DSL02	Hand-Auto	DSL29	Fast-Off-Slow	DSL41
Close	DSL21	In-Out	DSL35	For-Off-Rev	DSL40
Down	DSL23	Off-On	DSL48	Hand-Off-Auto	DSL39
Emerg. Stop	DSL17	Open-Close	DSL32	Run-Off-Jog	DSL38
Fast	DSL46	Raise-Lower	DSL36	Open-Off-Close	DSL43
Forward	DSL18	Run-Jog	DSL28	Raise-Off-Lower	DSL87
Hand	DSL15	Safe-Run	DSL86	Slow-Off-Fast	DSL88
In	DSL24	Start-Stop	DSL37	Up-Off-Down	DSL44
Jog	DSL10	Slow-Fast	DSL65	1-Off-2	DSL42
Lower	DSL27	Up-Down	DSL33	Note: Background color for all legend plates is black with the following exceptions:	
On	DSL07				
Off	DSL08				
Open	DSL20				
Out	DSL25				
				Marking	Plate Color
Power On	DSL14			Start	Green
Raise	DSL26			Stop	Red
Reset	DSL12			Emerg. Stop	Red
Reverse	DSL19				
Run	DSL09				
Safe	DSL85				
Slow	DSL47				
Start	DSL05				
Stop	DSL06				
Test	DSL13				
Trip	DSL11				
Up	DSL22				



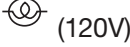
Cooper Crouse-Hinds EJB Custom-Built Control Panels


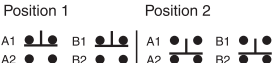
Sample Order Form


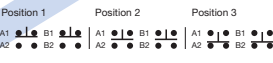
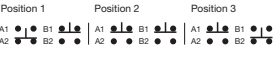
Please photocopy and fax all pages of order form (Sections 1-4) to your local Cooper Crouse-Hinds Distributor.



Section 1: EMP Style Operators—UL, cULus and ATEX


Number of Devices: Indicate the Number of Devices, Openings Without Devices and Window(s) Required.


Pilot Lights			
	Diagram	Symbol	Quantity
EMP009-J1 (Red)	 (120V)	A	1
EMP009-J1-LED		A1	_____
EMP0090-J1		A2	_____
EMP0098-J1		A4	_____
EMP009-J3 (Green)		B	2
EMP009-J3-LED		B1	_____
EMP0090-J3		B2	_____
EMP0098-J3		B4	_____
EMP009-J6 (Amber)		C	_____
EMP009-J6-LED		C1	_____
EMP0090-J6		C2	_____
EMP0098-J6		C4	_____
EMP009-J10 (Clear)		E	_____
EMP0090-J10		E2	_____
EMP0098-J10		E4	_____
EMP009-J11 (Blue)		F	1
EMP0090-J11		F2	_____
EMP0098-J11		F4	_____



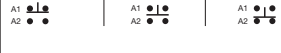
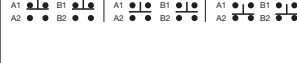
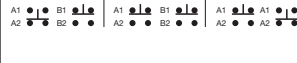
Selector Switches – Two position			
	Diagram	Symbol	Quantity
EMP049	Position 1 Position 2 	Q	2
EMP059	Position 1 Position 2 	R	_____

Selector Switches* – Three position			
	Diagram	Symbol	Quantity
EMP069	Position 1 Position 2 Position 3 	S	1
EMP069-S634		S4	_____
EMP069-S635		S5	_____
EMP079	Position 1 Position 2 Position 3 	T	_____
EMP079-S634		T4	_____
EMP079-S635		T5	_____
EMP089	Position 1 Position 2 Position 3 	U	_____
EMP089-S634		U4	_____
EMP089-S635		U5	_____

Pushbuttons – Single Pushbutton			
	Diagram	Symbol	Quantity
EMP019 (Black)	 Up Down 	G	2
EMP019 (Red)		H	_____
EMP019 (Green)		J	_____
EMP098 (Red)		K	_____

Pushbuttons – Double Pushbutton, Single Operator			
	Diagram	Symbol	Quantity
EMP029 (Black)		L	_____
EMP029 (Red)		M	_____
EMP029 (Green)		N	_____

Pushbuttons – Double Pushbutton, Double Operator			
	Diagram	Symbol	Quantity
EMP039		P	_____

Selector Switches* – Keyed Selector Switches			
	Diagram	Symbol	Qty
EMP0491	Position 1 Position 2 	Q6	_____
EMP0492		Q7	_____
EMP0493		Q8	_____
EMP0591		R6	_____
EMP0592		R7	_____
EMP0593		R8	_____
EMP0691	Position 1 Position 2 Position 3 	S6	_____
EMP0692		S7	_____
EMP0693		S8	_____
EMP0694		S9	_____
EMP0791		T6	_____
EMP0792		T7	_____
EMP0793		T8	_____
EMP0794		T9	_____
EMP0891		U6	_____
EMP0892		U7	_____
EMP0893		U8	_____
EMP0894		U9	_____

Total Number of all Devices on this page

9

*See the Cooper Crouse-Hinds Product Catalog for complete descriptions of devices.

Cooper Crouse-Hinds EJB Custom-Built Control Panels Sample Order Form



Please photocopy and fax all pages of order form (Sections 1-4) to your local Cooper Crouse-Hinds Distributor.

Section 1: EMP Style Operators Continued

Number of Devices: Indicate the Number of Devices, Openings Without Devices and Window(s) Required.

Openings Without Devices (For Future Expansion)		
	Symbol	Quantity
3/4" - 14 NPSM Opening (plugged)	V	3

Windows			
	Symbol	Quantity	# of Openings
GUB0108	W	1	12

Total Number of all Device Openings from previous page _____ 9

Total Number of all Devices / Openings from Section 1 _____ 24

Section 1.5: 800HL-EMP Style Operators

Number of Devices: Indicate the Number of Devices in the 800HL-EMP style required.

Cat. No.	Description	Symbol	Quantity
800HL-EMPA019J3	GREEN PB 1NO, 1NC	HL1	_____
800HL-EMPA029J3	GREEN PB 2NO, 2NC	HL2	_____
800HL-EMPA019	BLACK PB 1NO, 1NC	HL3	_____
800HL-EMPA029	BLACK PB 2NO, 2NC	HL4	_____
800HL-EMPA019J1	RED PB 1NO, 1NC	HL5	_____
800HL-EMPA029J1	RED PB 2NO, 2NC	HL6	_____
800HL-EMPB019J3	GREEN EXT HEAD PB 1NO, 1NC	HL7	_____
800HL-EMPB019	BLACK EXT HEAD PB 1NO, 1NC	HL8	_____
800HL-EMPB019J1	RED EXT HEAD PB 1NO, 1NC	HL9	_____
800HL-EMPD019J3	GREEN MUSHROOM HEAD 1NO, 1NC	HL10	_____
800HL-EMPD029J3	GREEN MUSHROOM HEAD 2NO, 2NC	HL11	_____
800HL-EMPD019	BLACK MUSHROOM HEAD 1NO, 1NC	HL12	_____
800HL-EMPD029	BLACK MUSHROOM HEAD 2NO, 2NC	HL13	_____
800HL-EMPD019J1	RED MUSHROOM HEAD 1NO, 1NC	HL14	_____
800HL-EMPD089J1	RED MUSHROOM HEAD 2NC	HL15	_____
800HL-EMPD029J1	RED MUSHROOM HEAD 2NO, 2NC	HL16	_____
800HL-EMPD049J1	RED MUSHROOM HEAD 4NO, 4NC	HL17	_____
800HL-EMPD039J1	RED MUSHROOM HEAD 3NO, 3NC	HL18	_____
800HL-EMPC02964	DOUBLE PB GREEN RED START STOP	HL19	_____
800HL-EMPC029	DOUBLE PB BLACK BLACK BLANK BLANK	HL20	_____
800HL-EMPC02950	DOUBLE PB BLACK BLACK ON OFF	HL21	_____
800HL-EMPC02957	DOUBLE PB BLACK BLACK OPEN CLOSE	HL22	_____
800HL-EMPC02966	DOUBLE PB BLACK BLACK UP DOWN	HL23	_____
800HL-EMPF069J1	RED MAINTAINED MUSHROOM HEAD 2 POS PUSH PULL 1NO, 1NCLB	HL24	_____
800HL-EMPF059J1	RED JUMBO MUSHROOM HEAD 2 POS PUSH-PULL 2NCLB	HL25	_____
800HL-EMPFM079J1	RED MAINTAINED MUSHROOM HEAD 3 POS PUSH_PULL 1NC, 1NCLB	HL26	_____
800HL-EMPH2019	2 POSITION SELECTOR SWITCH MAINTAINED 1NO, 1NC	HL27	_____
800HL-EMPH4019	2 POSITION SELECTOR SWITCH SPRING RETURN FROM LEFT MAIN 1NO, 1NC	HL28	_____
800HL-EMPH5019	2 POSITION SELECTOR SWITCH MAIN SPRING RETURN FROM RIGHT 1NO, 1NC	HL29	_____
800HL-EMPJ2029	3 POSITION SELECTOR SWITCH MAINTAINED 2NO, 2NC	HL30	_____
800HL-EMPJ2019	3 POSITION SELECTOR SWITCH MAINTAINED 1NO, 1NC	HL31	_____
800HL-EMPJ91029	3 POSITION SELECTOR SWITCH SPRING RETURN FROM LEFT & RIGHT 2NO, 2NC	HL32	_____
800HL-EMPJ91019	3 POSITION SELECTOR SWITCH SPRING RETURN FROM LEFT & RIGHT 1NO, 1NC	HL33	_____
800HL-EMPN2029	4 POSITION SELECTOR SWITCH MAINTAINED 2NO, 2NC	HL34	_____

Cooper Crouse-Hinds EJB Custom-Built Control Panels

Sample Order Form

Section 1.5: 800HL-EMP Style Operators Continued

Number of Devices: Indicate the Number of Devices in the 800HL-EMP style required.

CAT. No.	DESCRIPTION	SYMBOL	QUANTITY
800HL-EMPN3029	4 POSITION SELECTOR SWITCH SPRING RETURN FROM 1 TO 2 2NO, 2NC	HL35	_____
800HL-EMPP16009J6	120V XFMR PILOT LIGHT AMBER	HL36	_____
800HL-EMPP16009J11	120V XFMR PILOT LIGHT BLUE	HL37	_____
800HL-EMPP16009J10	120V XFMR PILOT LIGHT CLEAR	HL38	_____
800HL-EMPP16009J3	120V XFMR PILOT LIGHT GREEN	HL39	_____
800HL-EMPP16009J1	120V XFMR PILOT LIGHT RED	HL40	_____
800HL-EMPP16009J12	120V XFMR PILOT LIGHT WHITE	HL41	_____
800HL-EMPP26009J6	240V XFMR PILOT LIGHT AMBER	HL42	_____
800HL-EMPP26009J11	240V XFMR PILOT LIGHT BLUE	HL43	_____
800HL-EMPP26009J10	240V XFMR PILOT LIGHT CLEAR	HL44	_____
800HL-EMPP26009J3	240V XFMR PILOT LIGHT GREEN	HL45	_____
800HL-EMPP26009J1	240V XFMR PILOT LIGHT RED	HL46	_____
800HL-EMPP26009J12	240V XFMR PILOT LIGHT WHITE	HL47	_____
800HL-EMPP16009J6	120V XFMR ILLUM PB AMBER	HL48	_____
800HL-EMPP16009J11	120V XFMR ILLUM PB BLUE	HL49	_____
800HL-EMPP16009J10	120V XFMR ILLUM PB CLEAR	HL50	_____
800HL-EMPP16009J3	120V XFMR ILLUM PB GREEN	HL51	_____
800HL-EMPP16009J1	120V XFMR ILLUM PB RED	HL52	_____
800HL-EMPP16009J12	120V XFMR ILLUM PB WHITE	HL53	_____
800HL-EMPP26009J6	240V XFMR ILLUM PB AMBER	HL54	_____
800HL-EMPP26009J11	240V XFMR ILLUM PB BLUE	HL55	_____
800HL-EMPP26009J10	240V XFMR ILLUM PB CLEAR	HL56	_____
800HL-EMPP26009J3	240V XFMR ILLUM PB GREEN	HL57	_____
800HL-EMPP26009J1	240V XFMR ILLUM PB RED	HL58	_____
800HL-EMPP26009J12	240V XFMR ILLUM PB WHITE	HL59	_____
800HL-EMPP16009J6L	120V XFMR ILLUM PB AMBER WITH LED	HL60	_____
800HL-EMPP16009J11L	120V XFMR ILLUM PB BLUE WITH LED	HL61	_____
800HL-EMPP16009J10L	120V XFMR ILLUM PB CLEAR WITH LED	HL62	_____
800HL-EMPP16009J3L	120V XFMR ILLUM PB GREEN WITH LED	HL63	_____
800HL-EMPP16009J1L	120V XFMR ILLUM PB RED WITH LED	HL64	_____
800HL-EMPP16009J12L	120V XFMR ILLUM PB WHITE WITH LED	HL65	_____
800HL-EMPP26009J6L	240V XFMR ILLUM PB AMBER WITH LED	HL66	_____
800HL-EMPP26009J11L	240V XFMR ILLUM PB BLUE WITH LED	HL67	_____
800HL-EMPP26009J10L	240V XFMR ILLUM PB CLEAR WITH LED	HL68	_____
800HL-EMPP26009J3L	240V XFMR ILLUM PB GREEN WITH LED	HL69	_____
800HL-EMPP26009J1L	240V XFMR ILLUM PB RED WITH LED	HL70	_____
800HL-EMPP26009J12L	240V XFMR ILLUM PB WHITE WITH LED	HL71	_____
800HL-EMPP16009J6L	120V XFMR LED PILOT LIGHT AMBER	HL72	_____
800HL-EMPP16009J11L	120V XFMR LED PILOT LIGHT BLUE	HL73	_____
800HL-EMPP16009J10L	120V XFMR LED PILOT LIGHT CLEAR	HL74	_____
800HL-EMPP16009J3L	120V XFMR LED PILOT LIGHT GREEN	HL75	_____
800HL-EMPP16009J1L	120V XFMR LED PILOT LIGHT RED	HL76	_____
800HL-EMPP16009J12L	120V XFMR LED PILOT LIGHT WHITE	HL77	_____
800HL-EMPP26009J6L	240V XFMR PILOT LIGHT AMBER WITH LED	HL78	_____
800HL-EMPP26009J11L	240V XFMR PILOT LIGHT BLUE WITH LED	HL79	_____
800HL-EMPP26009J10L	240V XFMR PILOT LIGHT CLEAR WITH LED	HL80	_____
800HL-EMPP26009J3L	240V XFMR PILOT LIGHT GREEN WITH LED	HL81	_____
800HL-EMPP26009J1L	240V XFMR PILOT LIGHT RED WITH LED	HL82	_____
800HL-EMPP26009J12L	240V XFMR PILOT LIGHT WHITE WITH LED	HL83	_____
800HL-EMPQ24009J6	24V PILOT LIGHT AMBER	HL84	_____
800HL-EMPQ24009J11	24V PILOT LIGHT BLUE	HL85	_____
800HL-EMPQ24009J10	24V PILOT LIGHT CLEAR	HL86	_____
800HL-EMPQ24009J3	24V PILOT LIGHT GREEN	HL87	_____
800HL-EMPQ24009J1	24V PILOT LIGHT RED	HL88	_____
800HL-EMPQ24009J12	24V PILOT LIGHT WHITE	HL89	_____
800HL-EMPQ24009J6	24V ILLUM PB AMBER	HL90	_____
800HL-EMPQ24009J11	24V ILLUM PB BLUE	HL91	_____
800HL-EMPQ24009J10	24V ILLUM PB CLEAR	HL92	_____
800HL-EMPQ24009J3	24V ILLUM PB GREEN	HL93	_____
800HL-EMPQ24009J1	24V ILLUM PB RED	HL94	_____
800HL-EMPQ24009J12	24V ILLUM PB WHITE	HL95	_____
800HL-EMPQ24009J6L	24V ILLUM PB AMBER WITH LED	HL96	_____
800HL-EMPQ24009J11L	24V ILLUM PB BLUE WITH LED	HL97	_____
800HL-EMPQ24009J10L	24V ILLUM PB CLEAR WITH LED	HL98	_____
800HL-EMPQ24009J3L	24V ILLUM PB GREEN WITH LED	HL99	_____
800HL-EMPQ24009J12L	24V LED PILOT LIGHT WHITE	HL100	_____
800HL-EMPQ24009J1L	24V LED PILOT LIGHT RED	HL101	_____
800HL-EMPQ24009J3L	24V LED PILOT LIGHT GREEN	HL102	_____
800HL-EMPQ24009J11L	24V LED PILOT LIGHT BLUE	HL103	_____
800HL-EMPQ24009J6L	24V LED PILOT LIGHT AMBER	HL104	_____
800HL-EMPQ24009J10L	24V LED PILOT LIGHT CLEAR	HL105	_____
800HL-EMPQ24009J12L	24V ILLUM PB WHITE WITH LED	HL106	_____
800HL-EMPQ24009J1L	24V ILLUM PB RED WITH LED	HL107	_____
800HL-EMPU19	2.5KOHM POTENTIOMETER	HL108	_____
800HL-EMPU24	5.0KOHM POTENTIOMETER	HL109	_____
800HL-EMPU29	10.0KOHM POTENTIOMETER	HL110	_____

Total Number of all Device Openings from Section 1.5	0
Total Number of Device Openings from Section 1 & 1.5	24
EJB Required	EJB161606

Cooper Crouse-Hinds EJB Custom-Built Control Panels Sample Order Form



Section 2

Completed Catalog Number:

Specify the complete catalog number including conduit designations.

EJB 161606 - 1CC003GGG4BB

All Cooper Crouse-Hinds Custom-Built Control Panels are provided with a mounting plate and hinges. Hinges are on left side of enclosure. If you desire hinges on one of the other sides, circle choice here: TOP RIGHT BOTTOM

Distributor:	Contact:
Customer:	Phone Number:
CROUSE-HINDS FACTORY USE ONLY	
Catalog Number Entered:	
Reference #:	B#

OPTIONS

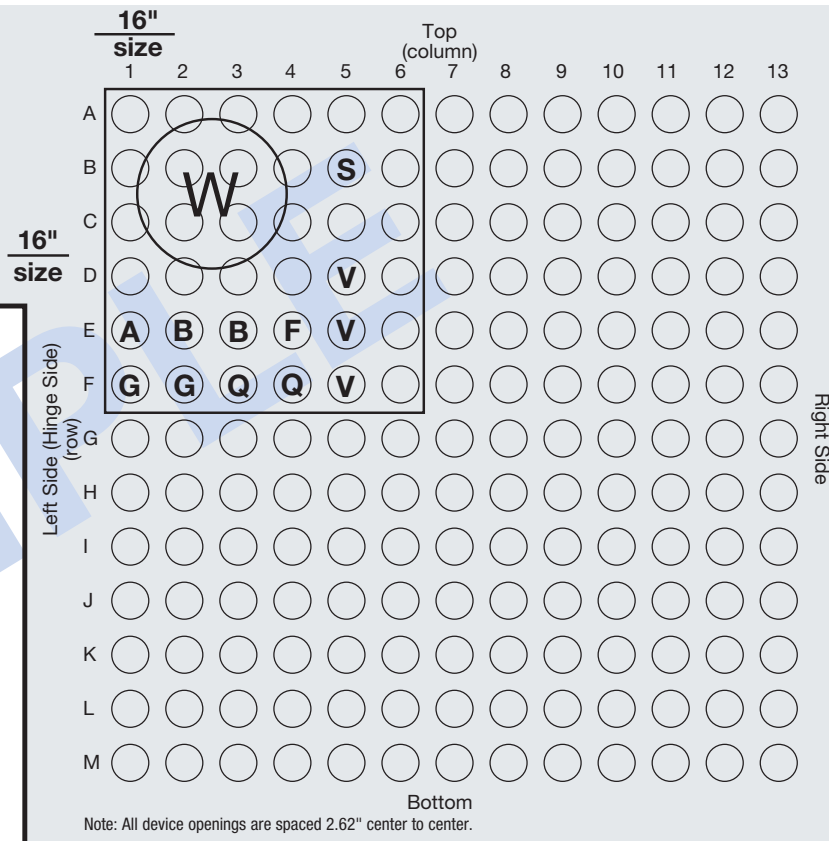
For any of the following options, check here:

- ATEX Certified (ATEX)
- Breather and Drain (S756V)
- Epoxy finish, external (S752)
- Epoxy finish, internal and external (S753)

Section 3— Exterior Front View

Location of Devices and Windows in Cover:

Outline the cover space available, beginning in the upper left corner of the grid, based upon the EJB selected. See Table 1 for device layout.



Section 4

Device Markings:

Indicate by row and column position markings/legends for each device.

Engraved Plate:

Specify markings for each nameplate based upon the following:

Maximum Number of Characters/Line

Marking Size	1/8"	3/16"	1/4"	1/2"
Number of Characters	36	24	18	9

Specify

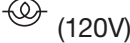
Row	Column	Device Marking (DSL) or Engraved Plate Line 1	Engraved Plate Line 2	Marking Size
E	1	MOTOR #1		1/4"
F	1	MOTOR #2		1/4"
E	2	PUMP #1		1/4"
F	2	PUMP #2		1/4"
E	3	BLOWER #1		1/4"
F	3	DSL48		
E	4	BLOWER #2		1/4"
F	4	DSL48		
B	5	LIFT	UP - OFF - DOWN	1/4"


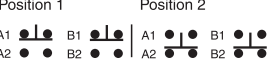
Cooper Crouse-Hinds EJB Custom Built Control Panels—Order Form


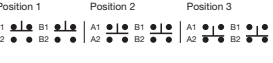
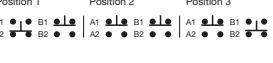
Please photocopy and fax all pages of order form (Sections 1-4) to your local Cooper Crouse-Hinds Distributor.



Section 1: EMP Style Operators—UL, cULus and ATEX


Number of Devices: Indicate the Number of Devices, Openings Without Devices and Window(s) Required.


Pilot Lights			
	Diagram	Symbol	Quantity
EMP009-J1 (Red)	 (120V)	A	_____
EMP009-J1-LED		A1	_____
EMP0090-J1		A2	_____
EMP0098-J1		A4	_____
EMP009-J3 (Green)		B	_____
EMP009-J3-LED		B1	_____
EMP0090-J3		B2	_____
EMP0098-J3		B4	_____
EMP009-J6 (Amber)		C	_____
EMP009-J6-LED		C1	_____
EMP0090-J6		C2	_____
EMP0098-J6		C4	_____
EMP009-J10 (Clear)		E	_____
EMP0090-J10		E2	_____
EMP0098-J10		E4	_____
EMP009-J11 (Blue)		F	_____
EMP0090-J11		F2	_____
EMP0098-J11		F4	_____




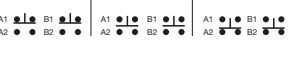
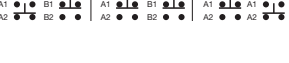
Selector Switches – Two position			
	Diagram	Symbol	Quantity
EMP049	Position 1 Position 2 	Q	_____
EMP059	Position 1 Position 2 	R	_____

Selector Switches – Three position			
	Diagram	Symbol	Quantity
EMP069	Position 1 Position 2 Position 3 	S	_____
EMP069-S634		S4	_____
EMP069-S635		S5	_____
EMP079	Position 1 Position 2 Position 3 	T	_____
EMP079-S634		T4	_____
EMP079-S635		T5	_____
EMP089	Position 1 Position 2 Position 3 	U	_____
EMP089-S634		U4	_____
EMP089-S635		U5	_____

Pushbuttons – Single Pushbutton			
	Diagram	Symbol	Quantity
EMP019 (Black)	 Up Down 	G	_____
EMP019 (Red)		H	_____
EMP019 (Green)		J	_____
EMP098 (Red)		K	_____

Pushbuttons – Double Pushbutton, Single Operator			
	Diagram	Symbol	Quantity
EMP029 (Black)		L	_____
EMP029 (Red)		M	_____
EMP029 (Green)		N	_____

Pushbuttons – Double Pushbutton, Double Operator			
	Diagram	Symbol	Quantity
EMP039		P	_____

Selector Switches – Keyed Selector Switches			
	Diagram	Symbol	Qty
EMP0491	Position 1 Position 2 	Q6	_____
EMP0492		Q7	_____
EMP0493		Q8	_____
EMP0591		R6	_____
EMP0592		R7	_____
EMP0593		R8	_____
EMP0691	Position 1 Position 2 Position 3 	S6	_____
EMP0692		S7	_____
EMP0693		S8	_____
EMP0694		S9	_____
EMP0791		T6	_____
EMP0792		T7	_____
EMP0793		T8	_____
EMP0794		T9	_____
EMP0891		U6	_____
EMP0892		U7	_____
EMP0893		U8	_____
EMP0894		U9	_____

Total Number of all Devices on this page _____

Cooper Crouse-Hinds EJB Custom Built Control Panels Order Form



Section 1: EMP Style Operators Continued

Number of Devices: Indicate the Number of Devices, Openings Without Devices and Window(s) Required.

Openings Without Devices (For Future Expansion)		
	Symbol	Quantity
3/4" - 14 NPSM Opening (plugged)	V	_____

Windows			
	Symbol	Quantity	# of Openings
GUB0108	W	_____	_____

Total Number of all Device Openings from previous page _____
Total Number of all Devices / Openings from Section 1 _____

Section 1.5: 800HL-EMP Style Operators

Number of Devices: Indicate the Number of Devices in the 800HL-EMP style required.

Cat. No.	Description	Symbol	Quantity
800HL-EMPA019J3	GREEN PB 1NO, 1NC	HL1	_____
800HL-EMPA029J3	GREEN PB 2NO, 2NC	HL2	_____
800HL-EMPA019	BLACK PB 1NO, 1NC.....	HL3	_____
800HL-EMPA029	BLACK PB 2NO, 2NC.....	HL4	_____
800HL-EMPA019J1	RED PB 1NO, 1NC.....	HL5	_____
800HL-EMPA029J1	RED PB 2NO, 2NC.....	HL6	_____
800HL-EMPB019J3	GREEN EXT HEAD PB 1NO,1NC.....	HL7	_____
800HL-EMPB019	BLACK EXT HEAD PB 1NO,1NC	HL8	_____
800HL-EMPB019J1	RED EXT HEAD PB 1NO,1NC	HL9	_____
800HL-EMPD019J3	GREEN MUSHROOM HEAD 1NO,1NC.....	HL10	_____
800HL-EMPD029J3	GREEN MUSHROOM HEAD 2NO,2NC	HL11	_____
800HL-EMPD019	BLACK MUSHROOM HEAD 1NO,1NC	HL12	_____
800HL-EMPD029	BLACK MUSHROOM HEAD 2NO,2NC	HL13	_____
800HL-EMPD019J1	RED MUSHROOM HEAD 1NO,1NC	HL14	_____
800HL-EMPD089J1	RED MUSHROOM HEAD 2NC	HL15	_____
800HL-EMPD029J1	RED MUSHROOM HEAD 2NO,2NC.....	HL16	_____
800HL-EMPD049J1	RED MUSHROOM HEAD 4NO,4NC	HL17	_____
800HL-EMPD039J1	RED MUSHROOM HEAD 3NO,3NC	HL18	_____
800HL-EMPC02964	DOUBLE PB GREEN RED START STOP.....	HL19	_____
800HL-EMPC029	DOUBLE PB BLACK BLACK BLANK BLANK	HL20	_____
800HL-EMPC02950	DOUBLE PB BLACK BLACK ON OFF	HL21	_____
800HL-EMPC02957	DOUBLE PB BLACK BLACK OPEN CLOSE.....	HL22	_____
800HL-EMPC02966	DOUBLE PB BLACK BLACK UP DOWN	HL23	_____
800HL-EMPF069J1	RED MAINTAINED MUSHROOM HEAD 2 POS PUSH PULL 1NO,1NCLB	HL24	_____
800HL-EMPF059J1	RED JUMBO MUSHROOM HEAD 2 POS PUSH-PULL 2NCLB.....	HL25	_____
800HL-EMPFM079J1	RED MAINTAINED MUSHROOM HEAD 3 POS PUSH_PULL 1NC,1NCLB	HL26	_____
800HL-EMPH2019	2 POSITION SELECTOR SWITCH MAINTAINED 1NO,1NC	HL27	_____
800HL-EMPH4019	2 POSITION SELECTOR SWITCH SPRING RETURN FROM LEFT MAIN 1NO,1NC	HL28	_____
800HL-EMPH5019	2 POSITION SELECTOR SWITCH MAIN SPRING RETURN FROM RIGHT 1NO,1NC.....	HL29	_____
800HL-EMPJ2029	3 POSITION SELECTOR SWITCH MAINTAINED 2NO,2NC	HL30	_____
800HL-EMPJ2019	3 POSITION SELECTOR SWITCH MAINTAINED 1NO,1NC	HL31	_____
800HL-EMPJ91029	3 POSITION SELECTOR SWITCH SPRING RETURN FROM LEFT & RIGHT 2NO,2NC	HL32	_____
800HL-EMPJ91019	3 POSITION SELECTOR SWITCH SPRING RETURN FROM LEFT & RIGHT 1NO,1NC	HL33	_____
800HL-EMPN2029	4 POSITION SELECTOR SWITCH MAINTAINED 2NO,2NC	HL34	_____

Cooper Crouse-Hinds EJB Custom Built Control Panels—Order Form

Section 1.5: 800HL-EMP Style Operators Continued

Number of Devices: Indicate the Number of Devices in the 800HL-EMP style required.

CAT. No.	DESCRIPTION	SYMBOL	QUANTITY
800HL-EMPN3029	4 POSITION SELECTOR SWITCH SPRING RETURN FROM 1 TO 2 2NO, 2NC	HL35	_____
800HL-EMPP16009J6	120V XFMR PILOT LIGHT AMBER	HL36	_____
800HL-EMPP16009J11	120V XFMR PILOT LIGHT BLUE	HL37	_____
800HL-EMPP16009J10	120V XFMR PILOT LIGHT CLEAR	HL38	_____
800HL-EMPP16009J3	120V XFMR PILOT LIGHT GREEN	HL39	_____
800HL-EMPP16009J1	120V XFMR PILOT LIGHT RED	HL40	_____
800HL-EMPP16009J12	120V XFMR PILOT LIGHT WHITE	HL41	_____
800HL-EMPP26009J6	240V XFMR PILOT LIGHT AMBER	HL42	_____
800HL-EMPP26009J11	240V XFMR PILOT LIGHT BLUE	HL43	_____
800HL-EMPP26009J10	240V XFMR PILOT LIGHT CLEAR	HL44	_____
800HL-EMPP26009J3	240V XFMR PILOT LIGHT GREEN	HL45	_____
800HL-EMPP26009J1	240V XFMR PILOT LIGHT RED	HL46	_____
800HL-EMPP26009J12	240V XFMR PILOT LIGHT WHITE	HL47	_____
800HL-EMPP16009J6	120V XFMR ILLUM PB AMBER	HL48	_____
800HL-EMPP16009J11	120V XFMR ILLUM PB BLUE	HL49	_____
800HL-EMPP16009J10	120V XFMR ILLUM PB CLEAR	HL50	_____
800HL-EMPP16009J3	120V XFMR ILLUM PB GREEN	HL51	_____
800HL-EMPP16009J1	120V XFMR ILLUM PB RED	HL52	_____
800HL-EMPP16009J12	120V XFMR ILLUM PB WHITE	HL53	_____
800HL-EMPP26009J6	240V XFMR ILLUM PB AMBER	HL54	_____
800HL-EMPP26009J11	240V XFMR ILLUM PB BLUE	HL55	_____
800HL-EMPP26009J10	240V XFMR ILLUM PB CLEAR	HL56	_____
800HL-EMPP26009J3	240V XFMR ILLUM PB GREEN	HL57	_____
800HL-EMPP26009J1	240V XFMR ILLUM PB RED	HL58	_____
800HL-EMPP26009J12	240V XFMR ILLUM PB WHITE	HL59	_____
800HL-EMPP16009J6L	120V XFMR ILLUM PB AMBER WITH LED	HL60	_____
800HL-EMPP16009J11L	120V XFMR ILLUM PB BLUE WITH LED	HL61	_____
800HL-EMPP16009J10L	120V XFMR ILLUM PB CLEAR WITH LED	HL62	_____
800HL-EMPP16009J3L	120V XFMR ILLUM PB GREEN WITH LED	HL63	_____
800HL-EMPP16009J1L	120V XFMR ILLUM PB RED WITH LED	HL64	_____
800HL-EMPP16009J12L	120V XFMR ILLUM PB WHITE WITH LED	HL65	_____
800HL-EMPP26009J6L	240V XFMR ILLUM PB AMBER WITH LED	HL66	_____
800HL-EMPP26009J11L	240V XFMR ILLUM PB BLUE WITH LED	HL67	_____
800HL-EMPP26009J10L	240V XFMR ILLUM PB CLEAR WITH LED	HL68	_____
800HL-EMPP26009J3L	240V XFMR ILLUM PB GREEN WITH LED	HL69	_____
800HL-EMPP26009J1L	240V XFMR ILLUM PB RED WITH LED	HL70	_____
800HL-EMPP26009J12L	240V XFMR ILLUM PB WHITE WITH LED	HL71	_____
800HL-EMPP16009J6L	120V XFMR LED PILOT LIGHT AMBER	HL72	_____
800HL-EMPP16009J11L	120V XFMR LED PILOT LIGHT BLUE	HL73	_____
800HL-EMPP16009J10L	120V XFMR LED PILOT LIGHT CLEAR	HL74	_____
800HL-EMPP16009J3L	120V XFMR LED PILOT LIGHT GREEN	HL75	_____
800HL-EMPP16009J1L	120V XFMR LED PILOT LIGHT RED	HL76	_____
800HL-EMPP16009J12L	120V XFMR LED PILOT LIGHT WHITE	HL77	_____
800HL-EMPP26009J6L	240V XFMR PILOT LIGHT AMBER WITH LED	HL78	_____
800HL-EMPP26009J11L	240V XFMR PILOT LIGHT BLUE WITH LED	HL79	_____
800HL-EMPP26009J10L	240V XFMR PILOT LIGHT CLEAR WITH LED	HL80	_____
800HL-EMPP26009J3L	240V XFMR PILOT LIGHT GREEN WITH LED	HL81	_____
800HL-EMPP26009J1L	240V XFMR PILOT LIGHT RED WITH LED	HL82	_____
800HL-EMPP26009J12L	240V XFMR PILOT LIGHT WHITE WITH LED	HL83	_____
800HL-EMPP24009J6	24V PILOT LIGHT AMBER	HL84	_____
800HL-EMPP24009J11	24V PILOT LIGHT BLUE	HL85	_____
800HL-EMPP24009J10	24V PILOT LIGHT CLEAR	HL86	_____
800HL-EMPP24009J3	24V PILOT LIGHT GREEN	HL87	_____
800HL-EMPP24009J1	24V PILOT LIGHT RED	HL88	_____
800HL-EMPP24009J12	24V PILOT LIGHT WHITE	HL89	_____
800HL-EMPP24009J6L	24V ILLUM PB AMBER	HL90	_____
800HL-EMPP24009J11L	24V ILLUM PB BLUE	HL91	_____
800HL-EMPP24009J10L	24V ILLUM PB CLEAR	HL92	_____
800HL-EMPP24009J3L	24V ILLUM PB GREEN	HL93	_____
800HL-EMPP24009J1L	24V ILLUM PB RED	HL94	_____
800HL-EMPP24009J12L	24V ILLUM PB WHITE	HL95	_____
800HL-EMPP24009J6L	24V ILLUM PB AMBER WITH LED	HL96	_____
800HL-EMPP24009J11L	24V ILLUM PB BLUE WITH LED	HL97	_____
800HL-EMPP24009J10L	24V ILLUM PB CLEAR WITH LED	HL98	_____
800HL-EMPP24009J3L	24V ILLUM PB GREEN WITH LED	HL99	_____
800HL-EMPP24009J12L	24V LED PILOT LIGHT WHITE	HL100	_____
800HL-EMPP24009J11L	24V LED PILOT LIGHT RED	HL101	_____
800HL-EMPP24009J3L	24V LED PILOT LIGHT GREEN	HL102	_____
800HL-EMPP24009J11L	24V LED PILOT LIGHT BLUE	HL103	_____
800HL-EMPP24009J6L	24V LED PILOT LIGHT AMBER	HL104	_____
800HL-EMPP24009J10L	24V LED PILOT LIGHT CLEAR	HL105	_____
800HL-EMPP24009J12L	24V ILLUM PB WHITE WITH LED	HL106	_____
800HL-EMPP24009J11L	24V ILLUM PB RED WITH LED	HL107	_____
800HL-EMPU19	2.5KOHM POTENTIOMETER	HL108	_____
800HL-EMPU24	5.0KOHM POTENTIOMETER	HL109	_____
800HL-EMPU29	10.0KOHM POTENTIOMETER	HL110	_____

Total Number of all Device Openings from Section 1.5 _____
 Total Number of Device Openings from Section 1 & 1.5 _____
 EJB Required _____

Cooper Crouse-Hinds EJB Custom Built Control Panels Order Form



Section 2

Completed Catalog Number:

Specify the complete catalog number including conduit designations.

EJB _____

All Cooper Crouse-Hinds Custom-Built Control Panels are provided with a mounting plate and hinges. Hinges are on left side of enclosure. If you desire hinges on one of the other sides, circle choice here: TOP RIGHT BOTTOM

Distributor:	Contact:
Customer:	Phone Number:
CROUSE-HINDS FACTORY USE ONLY	
Catalog Number Entered:	
Reference #:	B#

OPTIONS

For any of the following options, check here:

- ATEX Certified (ATEX)
- Breather and Drain (S756V)
- Epoxy finish, external (S752)
- Epoxy finish, internal and external (S753)

Section 3 – Exterior Front View

Location of Devices and Windows in Cover:

Outline the cover space available, beginning in the upper left corner of the grid, based upon the EJB selected. See Table 1 for device layout.

		size													
		1	2	3	4	5	6	Top (column) 7	8	9	10	11	12	13	
Left Side (Hinge Side) (row)	size	A	○	○	○	○	○	○	○	○	○	○	○	○	○
	B	○	○	○	○	○	○	○	○	○	○	○	○	○	○
	C	○	○	○	○	○	○	○	○	○	○	○	○	○	○
	D	○	○	○	○	○	○	○	○	○	○	○	○	○	○
	E	○	○	○	○	○	○	○	○	○	○	○	○	○	○
	F	○	○	○	○	○	○	○	○	○	○	○	○	○	○
	G	○	○	○	○	○	○	○	○	○	○	○	○	○	○
	H	○	○	○	○	○	○	○	○	○	○	○	○	○	○
	I	○	○	○	○	○	○	○	○	○	○	○	○	○	○
	J	○	○	○	○	○	○	○	○	○	○	○	○	○	○
	K	○	○	○	○	○	○	○	○	○	○	○	○	○	○
	L	○	○	○	○	○	○	○	○	○	○	○	○	○	○
	M	○	○	○	○	○	○	○	○	○	○	○	○	○	○
		Bottom													

Note: All device openings are spaced 2.62" center to center.

Section 4

Device Markings:

Indicate by row and column position markings/legends for each device.

Engraved Plate:

Specify markings for each nameplate based upon the following:

Maximum Number of Characters/Line

Marking Size	1/8"	3/16"	1/4"	1/2"
Number of Characters	36	24	18	9

Specify

Row	Column	Device Marking (DSL) or Engraved Plate Line 1	Engraved Plate Line 2	Marking Size

For more information:

If further assistance is required, please contact an authorized Cooper Crouse-Hinds Distributor, Sales Office or Customer Service Department:

U.S.:

Cooper Crouse-Hinds
Wolf & Seventh North Streets
Syracuse, NY 13221
Toll Free: 866-764-5454
FAX: (315) 477-5179

Canada:

Cooper Crouse-Hinds Canada
Toll Free: 800-265-0502
FAX: (800) 263-9504
FAX Orders only: (866) 653-0645

Mexico/Latin America/Caribbean:

Cooper Crouse-Hinds, S.A. de C.V.
52-555-804-4000
FAX: 52-555-804-4020

Europe (Germany):

Cooper Crouse-Hinds GmbH
49 (0) 6271 806-500
49 (0) 6271 806-476
info-ex@ceag.de

Middle East (Dubai):

Cooper Crouse-Hinds LLC
971 4 4272500
FAX: 971 4 4298521

Singapore:

Cooper Crouse-Hinds Pte. Ltd.
65-6297-4849
FAX: 65-6297-4819
sales@cchspore.com.sg

China:

Cooper Crouse-Hinds Pte. Ltd.
86-21-2899-3600
FAX: 86-21-2899-4055
cchsales@cooperindustries.com

Korea:

Cooper Crouse-Hinds Korea
82-2-3484-6783
82-2-3484-6778

Australia:

Cooper Electrical Australia
61-2-8787-2777
FAX: 61-2-9609-2342
sales@cooperelctrical.com.au

India:

Cooper India Pvt. Ltd.
91-124-4683888
FAX: 91-124-4683899
cchindia@cooperindustries.com

www.crouse-hinds.com
crouse.customerctr@crouse-hinds.com

Cooper Crouse-Hinds is a trademark of Cooper Industries, Inc.
©2008 Cooper Industries, Inc.

Your Authorized Cooper Crouse-Hinds Distributor is:



Cooper Industries, Ltd.
600 Travis, Ste. 5800
Houston, TX 77002-1001
P: 713-209-8400
www.cooperindustries.com